

FAROS DE TRABAJO DE **LED**

50.000 horas de uso

Alta resistencia a golpes

Estanqueidad al agua y al polvo IP68

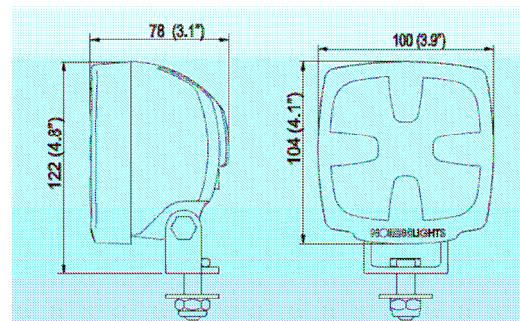
Iluminación en LED bajo consumo



FARO DE TRABAJO DE LED N-25



N25 LED Specifications	
Luminous flux:	570 lm
Nominal Voltage:	12 - 80V DC
Power Consumption:	17W
Nominal Current at 12V:	1,4 A
Nominal Current at 24V:	0,7 A
Ballast/Electronics:	Integrated -Epoxy Encapsulated
Connector:	Deutsch DT Series 2 Pin
Mount:	Singel Bolt M10
Shock:	60 G
Vibration:	8 G rms 24 -2000 Hz
Lens:	PMMA
Body:	Aluminium
Weight:	1,0 kg
IP Rating:	IP68
Salt Mist:	ISO 9227
EMC:	ISO13766, ISO14982 ISO7637-2, EN12895
Operating Temperature:	-40°C...50°C



FARO DE TRABAJO DE LED N-220



N220 LED Specifications	
Luminous flux:	2300 lm
Power Consumption:	55 W
Nominal Voltage:	24V DC
Nominal Current at 24V:	2.2A
Ballast/Electronics:	Integrated -Epoxy Encapsulated
Connector:	Deutsch DT Series 2 Pin
Mount:	Singel Bolt M10
Shock:	60 G
Vibration:	20 G rms 24 -2000 Hz
Lens:	Hardened Glass
Body:	Aluminium
Weight:	3,3 kg
IP Rating:	IP68
Salt Mist:	ISO9227
EMC:	ISO13766
Operating Temperature:	-40°C...50°C

